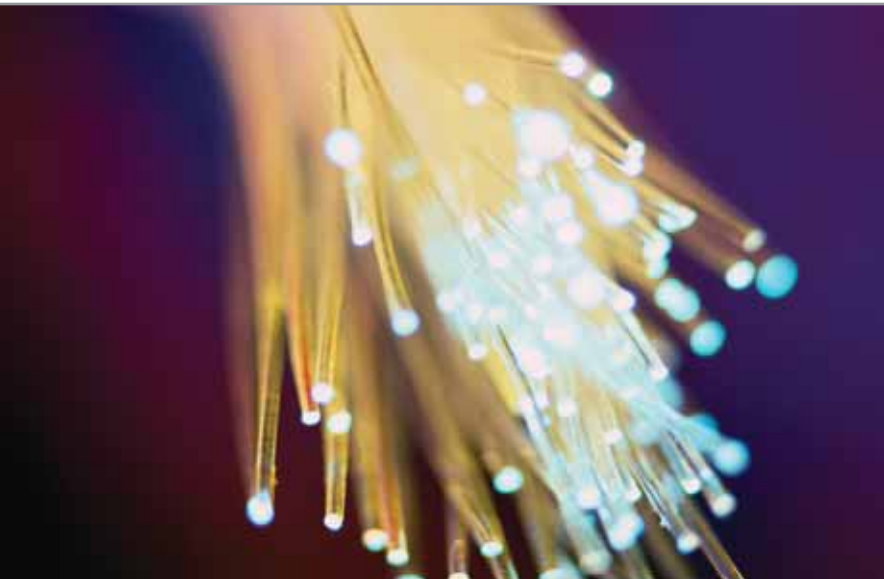


MasterColor® Short Arc Optics CDM-SA 150W/942

High Color Rendering with Stable Color Over Life in Short Arc
Short Arc Design to Increase Optical Efficiency



- ▶ Short Arc
- ▶ Color Stability
- ▶ Excellent Color Homogeneity
- ▶ High Efficacy
- ▶ Long Life

***Ideal for advertising/text projection,
fiber optics, decorative/architectural
lighting, shops and shop windows***



PHILIPS

MasterColor® Short Arc Optics CDM-SA 150W/942

Electrical, Technical and Ordering Data (Subject to change without notice)

Product Number	Description	Nominal Watts	Base	Lumen Output (lm)	Efficacy Source (lm/W)	Chromaticity Coordinate		Color Temp. (Kelvin)	Rated Average Life ¹ (Hrs.)	Min. Ignition Supply Voltage	CRI	Lamp Current (Amps)	Max. Lamp Current (Amps)
						x	y						
360396	CDM-SA/T 150/942	150	G12	12900	86	378	352	4200	6000	207	96	1.8	2.5
382788	CDM-SA/R 150/942	150	AMP connector cable length 250 mm	15 mm: 2750* 25 mm: 5000*	—	378	352	4200	4000	207	96	1.8	2.5

1) Rated Average Life is the length of operation (in hours) at which point an average of 50% of the lamps will still be operational and 50% will not.
 *75 mm working distance.

Lamp Information

CDM-SA/942 are compact discharge lamps with a stable color over lifetime, a sparkling light, for fresh white (4200K) color impression and an excellent color rendering CRI>96. High beam intensities can be created thanks to the short arc, the axially mounted discharge arc and the compact dimensions of the lamp.

Low operating costs result from the high lamp efficacy, combined with long lamp life compared to halogen lamps.

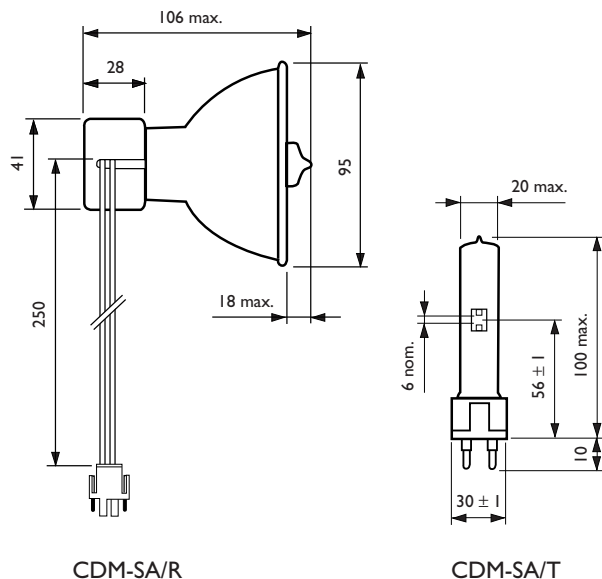
The lamps feature a UV-block quartz outer bulb and personal comfort is increased thanks to the low heat output. CDM-SA lamps have to be used in combination with a magnetic ballast plus ignitor or with an electric gear. A high current protection device is mandatory (IEC 1167).

For constant voltage deviations of more than 3% of the rated voltage, another ballast rating/tap must be used. Electronic gear, like the Philips EMC, can also be used, especially to eliminate visible flicker. The lamps must be used in closed luminaires and a hard glass cover is needed.

Available are two versions: tubular CDM-SA/T and reflector CDM-SA/R.

Note: All lamps in UV-block for reduced fading risk.

Lamp Dimensions (mm)



Maximum permissible temperatures (° C)

Type	Base/pinch
CDM-SA/T 150 942	350
CDM-SA/R 150 942	350

