

Philips T8 VHO Extreme
Temperature System

*Ideal for high-bay
applications without
climate control*

T8 COLLECTION



† This lamp is better for the environment because of its reduced mercury content. All Philips ALTO® lamps give you end-of-life options which can simplify and reduce your lamp disposal costs depending on your state and local regulations.

Reduce your energy and maintenance costs, not your light output

With the **Philips T8 VHO Extreme Temperature System**, you can use T8 lamps in high-bay applications without sacrificing light output due to hot or cold temperatures.

Provides high light output even in spaces without climate control

- Lumen output is >90% from 50°F to 160°F (10°C to 70°C)
- More light over the life of the lamp than a standard 400W HID system*

Operates on existing electrical system

- 277V–480V input voltage range eliminates the need for rewiring your electrical system

Reduce total cost of ownership (TCOO) when compared to a standard HID 400W system

- 40% more system lumens per watt than a standard HID 400W system**
- Reduced energy costs—save up to 86 system watts‡
- Dimmable down to 20% for additional energy savings
- Reduced maintenance costs—up to 25% longer lamp life[°] which extends the relamping cycle

(*,**,‡,° See page 2 for footnotes)



PHILIPS

sense and simplicity

Philips T8VHO Extreme Temperature Lamps featuring ALTO® Lamp Technology

Lamp Ordering, Electrical and Technical Data

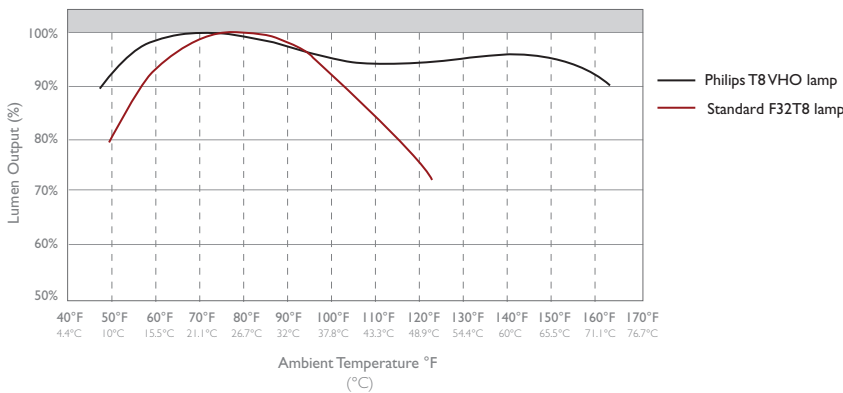
Product Number	Ordering Code	Watts	Pack. Qty.	Color Temp. (Kelvin)	Nom. Length (In.)	Rated Avg. Life Hours ¹	Approx. Initial Lumens ²	Design Lumens ³	CRI	Lumen Maint.
21069-0	F48T8/TL835/VHO/A/ALTO	84	25	3500	48	25,000	7200	6840	85	95%
21071-6	F48T8/TL841/VHO/A/ALTO	84	25	4100	48	25,000	7200	6840	85	95%
21072-4	F48T8/TL850/VHO/A/ALTO	84	25	5000	48	25,000	6900	6550	82	95%

- 1) Average life under engineering data with lamps turned off and restarted once every 12 operating hours on a Programmed Start ballast.
 - 2) Approximate initial lumens. The lamp lumen output is based upon lamp performance after 100 hours of operating life, when the output is measured during operation on a high frequency reference ballast under standard laboratory conditions. For expected lamp lumen output, commercial ballast manufacturers can advise the appropriate ballast factor for each of their ballasts when they are informed of the designated lamp. The ballast factor is a multiplier applied to the designated lamp lumen output.
 - 3) Design lumens are the approximate lamp lumen output at 40% of the lamp's rated average life. This output is based upon measurements obtained during lamp operation on a reference ballast under standard laboratory conditions.
- This lamp is better for the environment because of its reduced mercury content. All Philips ALTO® lamps give you end-of-life options which can simplify and reduce your lamp disposal costs depending on your state and local regulations.

Above specifications subject to change without notice.

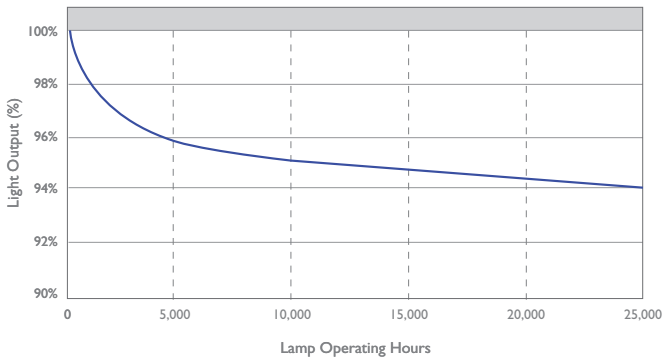
Performance (Relative Light Output vs. Temperature)

Philips T8VHO Extreme Temperature Lamps vs. Standard F32T8 Lamps



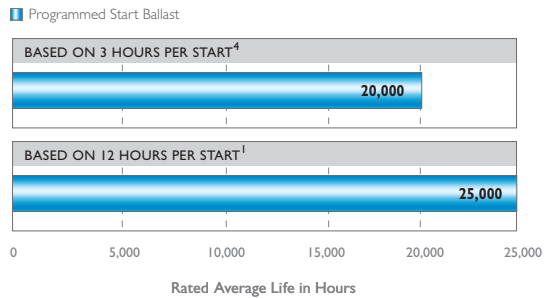
95% Lumen Maintenance

Philips T8VHO Extreme Temperature Lamps



Rated Average Life

Philips T8VHO Extreme Temperature Lamps



- 4) Average life under specified test conditions with lamps turned off and restarted no more frequently than once every 3 operating hours. Lamp life is appreciably longer if lamps are started less frequently.

Footnotes from front page:

* 95% lumen maintenance at 10,000 hours for the T8VHO lamp compared to 65% lumen maintenance at 8000 hours for the MH400/U lamp.

** Equal to (73.55 system mean LPW T8VHO - 52.40 system mean LPW MH400/U) / 52.40 system mean LPW MH400/U. T8VHO system mean LPW equal to 27360 system mean lumens (6840 mean lumens x 1.0 ballast factor x 4 lamps) divided by 372 system watts. MH400/U system mean LPW equal to 24000 system mean lumens (24000 mean lumens x 1.0 ballast factor x 1 lamp) divided by 458 system watts.

‡ 458 system watts (MH400/U) - 372 system watts (T8VHO) = 86 system watts

∅ 25,000 rated average life (T8VHO at 12 hours per start) compared to 20,000 rated average life (MH400/U at 13 hours per start)



Ballast Ordering, Electrical and Technical Data

No. of Lamps	Input Volts	Lamp Starting Method	Ballast Family	Catalog Number	Maximum		Line Current (Amps)	Min. Starting Temp (°F/°C)
					Input Power ANSI (Watts)	Ballast Factor		
1	277	PS	Optanium	JOP-2S84-G	94	1.02	0.34	-20/-29
1	347	PS	Optanium	JOP-2S84-G	94	1.02	0.27	-20/-29
1	480	PS	Optanium	JOP-2S84-G	97	1.02	0.20	-20/-29
2	277	PS	Optanium	JOP-2S84-G	185	1.00	0.67	-20/-29
2	347	PS	Optanium	JOP-2S84-G	185	1.00	0.53	-20/-29
2	480	PS	Optanium	JOP-2S84-G	186	1.00	0.38	-20/-29

Above specifications subject to change without notice.

Features

- Programmed Start ballast
- Ballast factor of 1.0
- 277V–480V input voltage range, 50/60Hz
- 194°F/90°C maximum case temperature
- -20°F/-29°C minimum starting temperature
- <10% Total Harmonic Distortion (THD)
- One or two lamp operation

General Specifications

Section I - Physical Characteristics

1.1 The electronic ballast shall be furnished with integral leads color coded to ANSI standard C82.11.

Section II - Performance Requirements

- 2.1 The electronic ballast shall be Programmed Start.
- 2.2 The electronic ballast shall operate from 250V–528V.
- 2.3 The electronic ballast shall maintain constant light output, for line voltage variations of 10% of rated supply voltage.
- 2.4 The electronic ballast input current shall have Total Harmonic Distortion (THD) of less than 10% at maximum light output for primary lamps.
- 2.5 The electronic ballast shall have a Power Factor greater than 98% at full light output.
- 2.6 The electronic ballast shall have a minimum ballast factor of 1.0 for primary lamp applications.
- 2.7 The electronic ballast lamp current crest factor shall be 1.7 or less in accordance with lamp manufacturer recommendation.
- 2.8 The electronic ballast shall withstand a sustained open circuit and output conditions without damage.
- 2.9 The electronic ballast shall be Sound Rated A.

- 2.10 The electronic ballast shall be a high frequency electronic type and operate above 40 kHz to avoid interference with infrared control systems, and eliminate visible flicker.
- 2.11 The electronic ballast shall comply with ANSI C82.11, where applicable.
- 2.12 The electronic ballast shall provide transient immunity as specified in ANSI C62.41.
- 2.13 The electronic ballast shall be Programmed Start and provide EOL Protection Circuitry.
- 2.14 The electronic ballast shall have a minimum starting temperature of -20°F (-29°C) for T8VHO lamps.

Section III - Regulatory Requirements

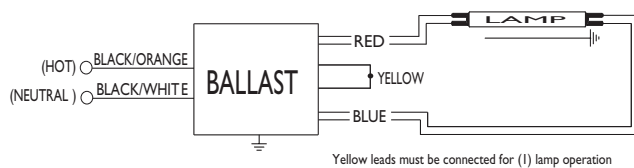
- 3.1 The electronic ballast shall not contain any Polychlorinated Biphenyl (PCB's).
- 3.2 The electronic ballast shall be Underwriters Laboratories (UL 935) listed, Class P and Type I Outdoor; and Canadian Standards Association (CSA) certified, where applicable.

Section IV - Other

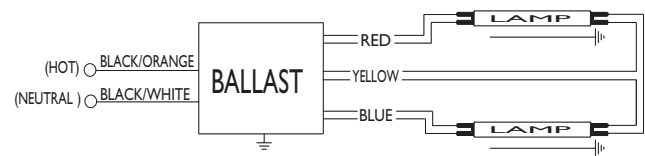
- 4.1 The manufacturer shall have a fifteen-year history of producing electronic ballasts for the North American market.
- 4.2 The electronic ballast shall be produced in a factory certified to ISO 9002 Quality System Standards.

Wiring Diagram–Lamp Operation

Advance JOP-2S84-G T8 VHO Ballast



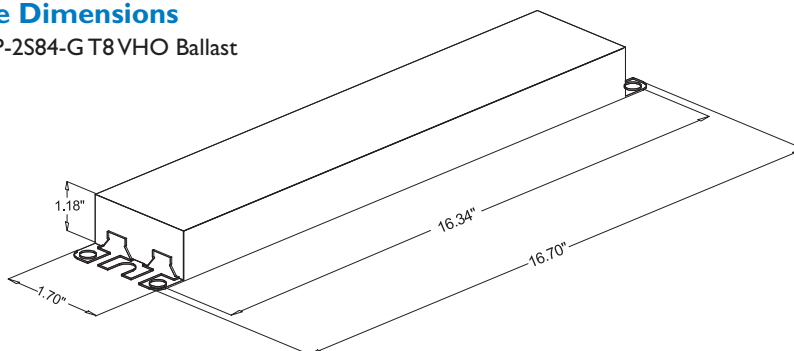
One Lamp: 94W (277V & 347V); 97W (480V)



Two Lamps: 185W (277V & 347V); 186W (480V)

Enclosure Dimensions

Advance JOP-2S84-G T8 VHO Ballast



PHILIPS

Philips Lighting Company
200 Franklin Square Drive
P.O. Box 6800
Somerset, NJ 08875-6800
1-800-555-0050
A Division of Philips Electronics North America Corporation

Philips Lighting
281 Hillmount Road
Markham, Ontario
Canada L6C 2S3
1-800-555-0050
A Division of Philips Electronics Ltd.

www.philips.com



ADVANCE
10275 West Higgins Road
Rosemont, IL 60018-5603
1-800-322-2086

A Division of Philips Electronics North America Corporation

www.advancetransformer.com



©2007 Philips Lighting Company, A Division of Philips Electronics North America Corporation

All rights reserved. Reproduction in whole or part is prohibited without the prior written consent of the copyright owner. The information presented in this document does not form part of any quotation or contract, is believed to be accurate and reliable and may be changed without notice. No liability will be accepted by the publisher for any consequence of its use. Publication thereof does not convey nor imply any license under patent or other industrial or intellectual property rights. Data subject to change without notice.

Printed in USA 10/07 P-5883